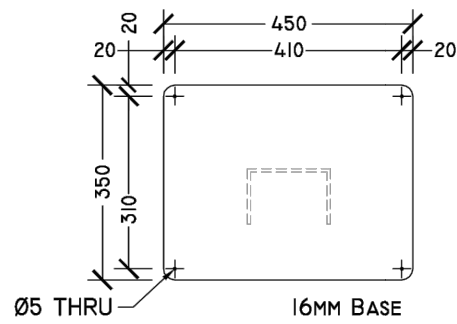
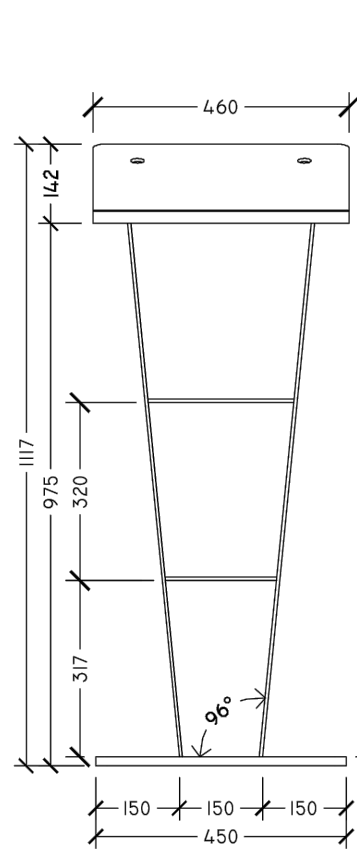


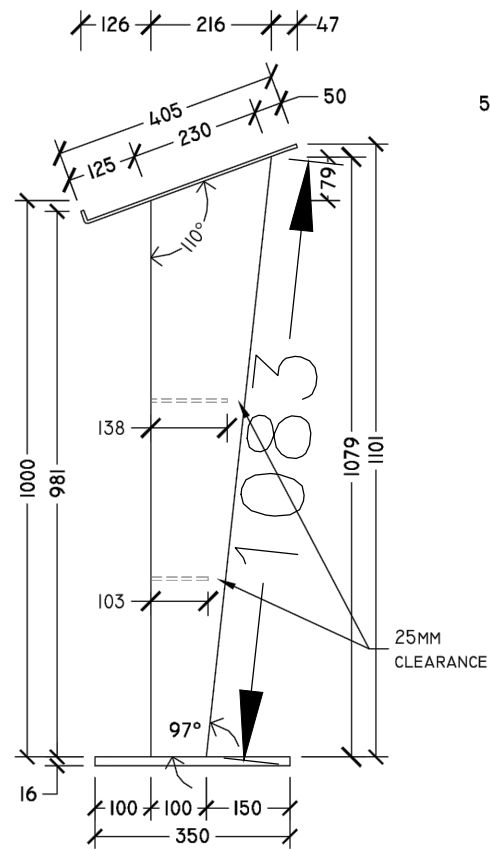
A
01 **TOP ELEVATION**
Do NOT SCALE



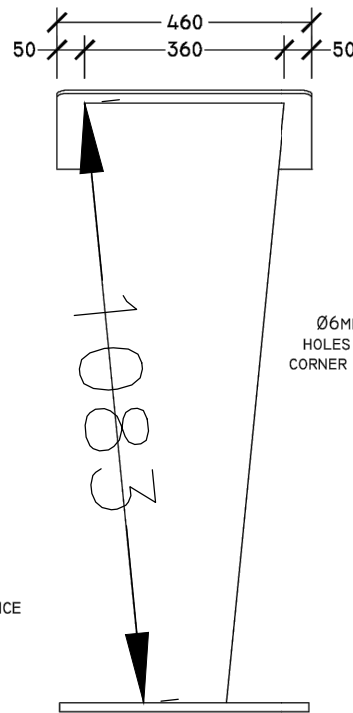
E
01 **BASE DETAIL**
Do NOT SCALE



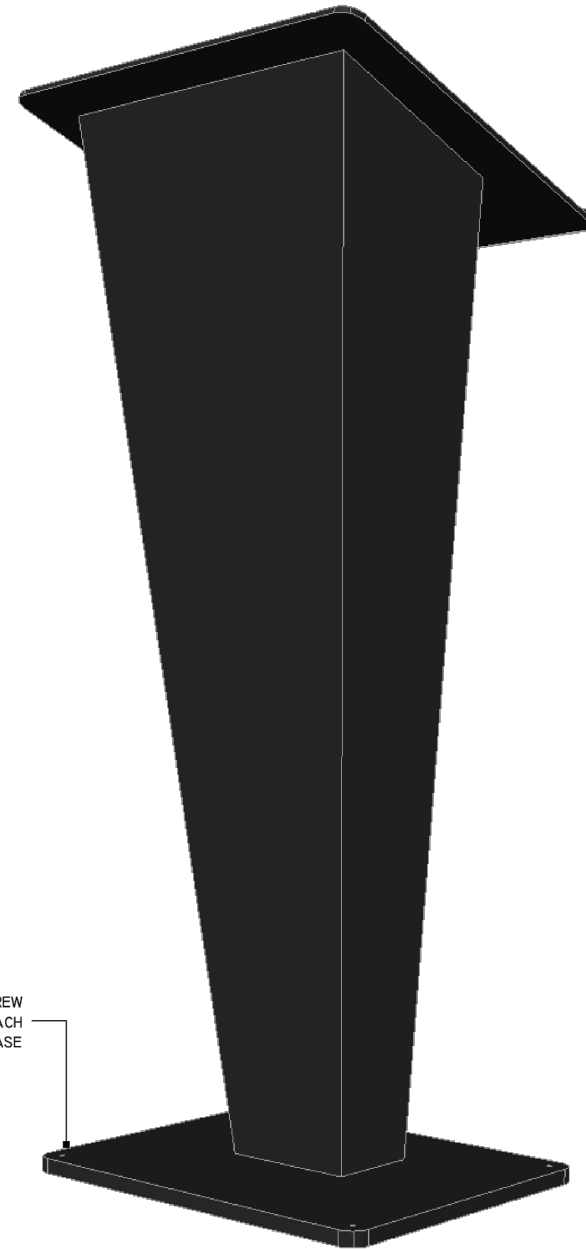
B
01 **REAR ELEVATION**
Do NOT SCALE



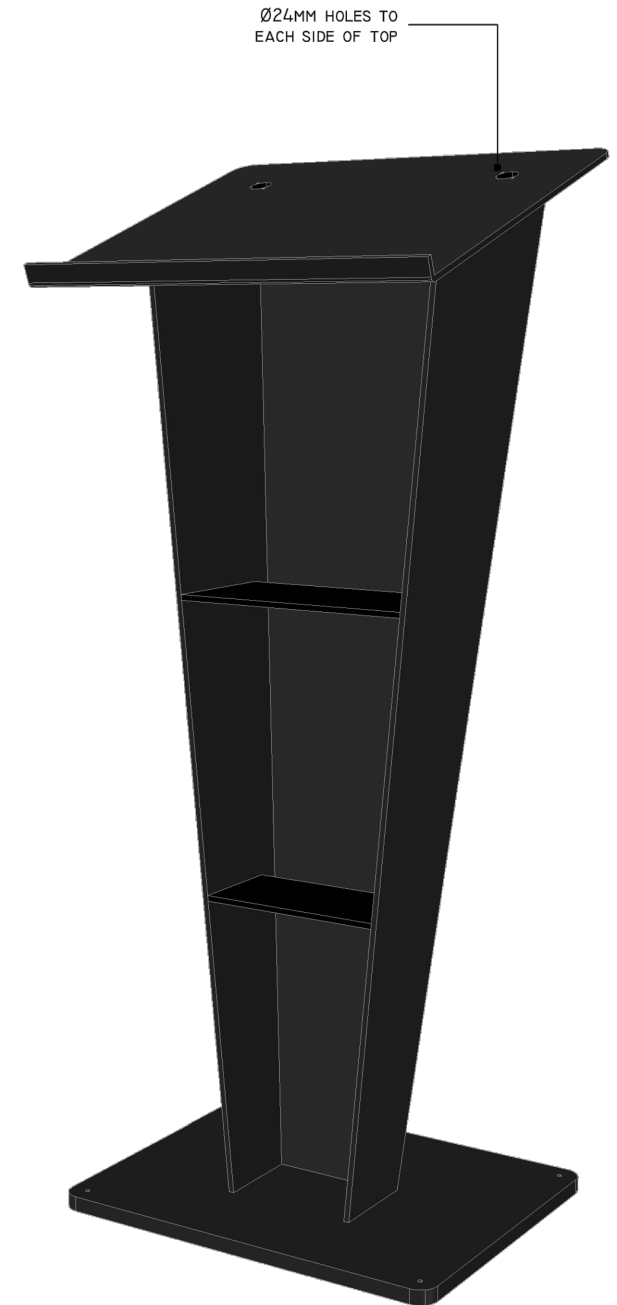
C
01 **SIDE ELEVATION**
Do NOT SCALE



D
01 **FRONT ELEVATION**
Do NOT SCALE



F
01 **FRONT PERSPECTIVE**
Do NOT SCALE



G
01 **REAR PERSPECTIVE**
Do NOT SCALE